

Empowered by Innovation

NEC

TWINPOS 5500Ui: STYLISH TOUCH SCREEN POS TERMINAL



Reliability Meets Design

TWINPOS5500Ui offers next generation retail IT system with reliable and industry standard hardware. Features renowned NEC hardware reliability and rugged dependability in stylish design.



Hardware features

- Innovative combination of design and function creates stylish counter
- First product in the POS market featuring illumination lights
- Windows® Embedded for Point of Service supports Plug-n-Play for retail device peripherals, creates operator & customer interactions through empowering components, and provides low lifecycle cost for retailers and partners in the POS system industry
- Enhanced system reliability based on NEC's 30+ years of market experiences
- Highly durable against temperature, water spill and dust, typical troubles for retail IT equipments
- Compact footprint adds flexibility to configure various types of system

Specifications

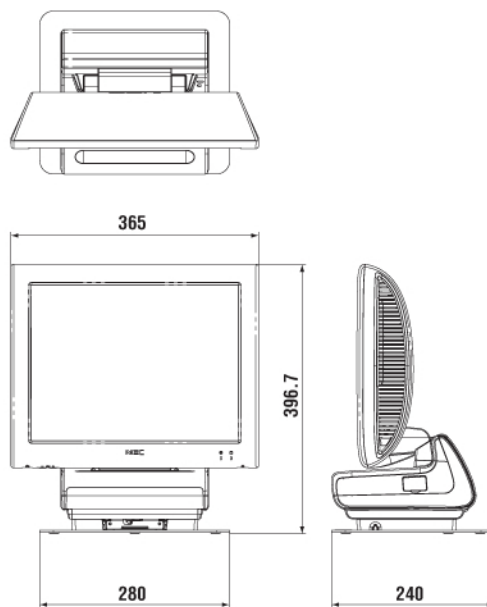
CPU	64bit CPU 2GHz
Main Memory	2GB with ECC function
Storage	80GB HDD
LAN	10BASE-T / 100 BASE-TX
Interfaces	USB2.0 x8 ports (2 for maintenance use) Serial x2 ports Cash drawer x2 ports
OS	Windows® Embedded for Point of Service*
Operator display	15" XGA TFT with touch panel
UPS	Built-in battery system for safe shutdown
Weight	Approx 8.2kg (18.08lb)
Dimension	365(W) 240(D) 396.7(H) mm 14.37"(W) 9.45"(D) 15.62"(H)

Features & specifications are subject to change without notice.

*Microsoft Windows and the Windows logo are trademarks or registered trademarks of the Microsoft Corporation in the United States and other countries.

*When this product (including software) is made for export, take necessary procedures for export permits and other applications from the government of Japan when exporting this product overseas as stipulated in the Foreign Exchange and Foreign Trade Control Law. Also, take required procedures for applicable U.S. Export Administration Regulations or other foreign government regulations.

Dimensions



Peripherals

- Alphanumeric Line Display
- Integrated magnetic strip reader
- Shutdown UPS battery system

TWINPOS5500Ui offers next generation POS system with reliable and industrial grade hardware. Features renowned NEC hardware and rugged dependability in stylish design.



TWINPOS 5500Ui

⚠ Notes on Safety

Please read the documents attached to the products carefully for proper use.

Do not install in locations where high amounts of water, humidity, dusty or oil smoke are present. Doing so may cause fire, breakdown or electric shock.

NEC

NEC Corporation of America
Retail Solutions Division

4 Forest Parkway, Shelton, CT 06484

Tel: 1-800-299-1764

Website: www.necpos.com

Email: necpos@necam.com